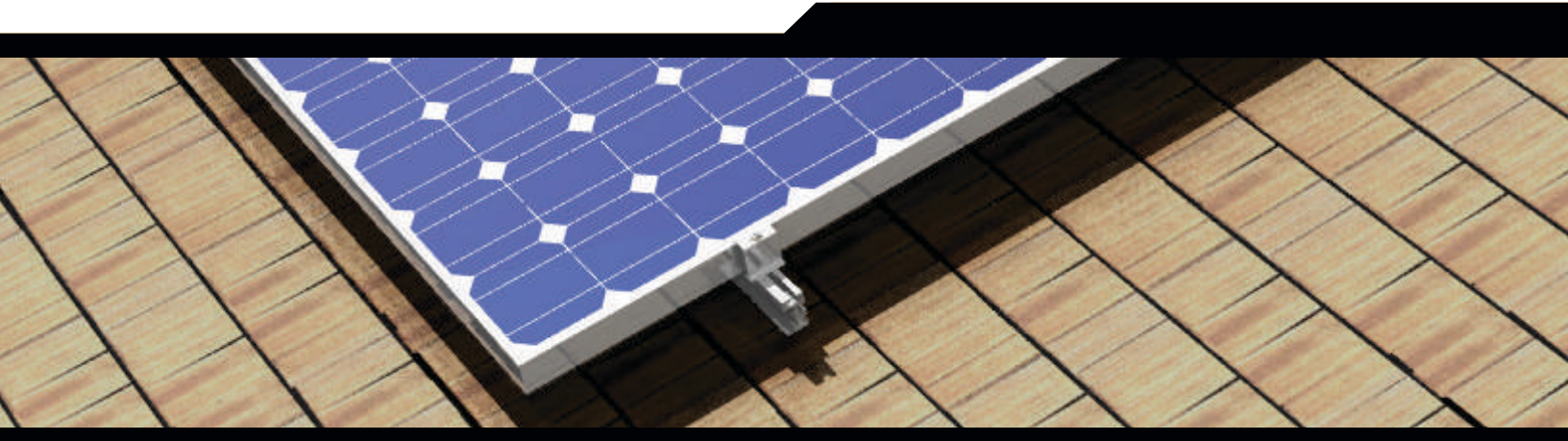


PV Solar Roof and Structure Mounting Systems



-  COMMUNICATIONS
-  ENERGY
-  SPECIAL INDUSTRIES
-  SOLAR

POWER
RAIL

POWER
DISK

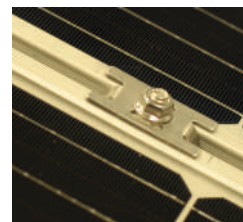
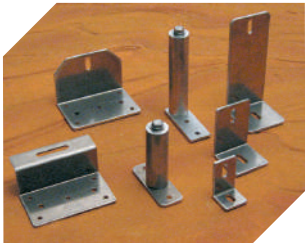


Table of Contents

POWER RAIL™ Module Mounting System	1	Low Profile Tilt Kits (One High Portrait Mounting)	
POWER RAIL™ Extrusions	2	P6 Low-Profile Tilt Kits	13
P4	2	P8 Low-Profile Tilt Kits	13
P6	2	Two-Tier Tilt Kits (Two High Portrait Mounting)	
P8	3	Two-Tier Tilt Kits–60 Cell	14
P14	4	Two-Tier Tilt Kits–72 Cell	14
D Series – XD/UD	5		
D Series – LD/MD	5		
POWER RAIL™ Mounting Attachments – P4, P6 and P8	6	Module Clamps	
D Series Mounting Base Brackets	6	Pre-Assembled Module Clamps w/RAD Hardware	15
P14 "L" Foot	6	Pre-Assembled Purlin Through Hole Clamps	15
"L" Feet	7	Universal End Clamp	17
Tilted "L" Feet	7	Pre-Assembled Module Clamps with WEEB Grounding	17
Easy Feet™	8		
Roof Rod Mount	9	POWER RAIL™ Accessories	
Power Post™ Stanchions	9	Grounding Hardware	18
Easy Power Post™ Stanchions	9	Turn Bolts	18
Super Post Stanchions	10	Wire Management Clips	18
Corrugated Roof Mounts	10		
POWER RAIL™ Splice Plate Kits	11	POWER DISK™	20
POWER RAIL™ PV Flash	12		

POWER RAIL™ Module Mounting System



The PV module mounting system engineered to reduce installation costs and provide maximum strength for parallel-to-roof, tilt up, or open structure mounting applications.

The POWER RAIL mounting system is designed with the professional PV solar installer in mind. The top-clamping rails utilize a single tool with a revolutionary patented RAD™ Fastener for faster bolt placement. The unique shape of the RAD provides an anti-rotation feature, locking the bolt in the proper orientation

when installed. The high-strength, rigid rails also include an integral wiring channel for securing cables and providing a professional finish. The system includes a wide selection of mounting options designed for secure and water-tight attachments to any roof style.

Mounting Rail Options*

P4/P6	Engineered to reduce costs on shorter span applications
P8	Engineered for longer span and heavier snow conditions
P14	Engineered for commercial applications with greater distances between supports
XD/UD	Engineered to reduce costs on commercial and shade structure applications
LD/MD	Engineered for long span commercial and shade structure applications

*Reference Rail Span and Cantilever Charts located at preformed.com.

Features

High-Strength, Reliable Design

- Engineered rail profiles for maximum strength-to-weight ratio
- Structural marine grade aluminum rail construction
- High-strength stainless steel module clamps

Reduced Installation Time and Costs

- Single Tool Assembly – all 5/16" hardware
- RAD™ hardware for quick bolt placements that lock-in-place
- Wiring Channel for securing cables
- Standard lengths up to 27 feet eliminate costly rail splices
- AMP™ Clamp integral module grounding

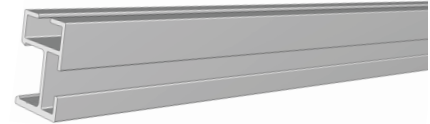
Flexible Mounting Options

- “L” mounting feet – multiple heights
- Tilt Feet, 5 and 10 degrees
- Power Post™ – solid aluminum stanchions
- Easy Feet™ attachment anywhere on metal or composite roof decking
- PV Flashing hardware
- Low Profile and Two-Tier Tilt Kits – up to 45 degrees

P4 POWER RAIL™ Extrusions

POWER RAIL is an engineered profile extrusion made from Series 6000 structural marine grade aluminum. Standard finish is mill-finish aluminum. Clear and Black Anodized options available.

POWER RAIL P4 – Extrusion



126" Standard Lengths

Length	126"
Weight Per Unit (lbs.)	4.00
Part #	Finish
P4-126	Mill
P4-126-BA	Black
P4-126-CA	Clear

162" Standard Lengths

Length	162"
Weight Per Unit (lbs.)	5.15
Part #	Finish
P4-162	Mill
P4-162-BA	Black
P4-162-CA	Clear

242" Standard Lengths

Length	242"
Weight Per Unit (lbs.)	7.60
Part #	Finish
P4-242	Mill
P4-242-BA	Black
P4-242-CA	Clear

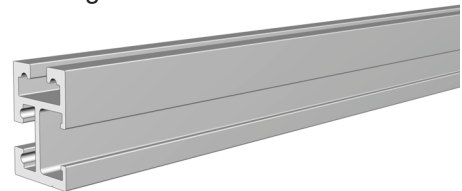
Reference preformed.com for Span/Cantilever Charts.

Standard - Mill **BA**- Black Anodized **CA**- Clear Anodized

P6 POWER RAIL™ Extrusions

POWER RAIL is an engineered profile extrusion made from Series 6000 structural marine grade aluminum. Standard finish is mill-finish aluminum. Clear and Black Anodized options available.

POWER RAIL P6 – Extrusion



126" Standard Lengths

Length	126"
Weight Per Unit (lbs.)	7.5
Part #	Finish
P6-126	Mill
P6-126-BA	Black
P6-126-CA	Clear

162" Standard Lengths

Length	162"
Weight Per Unit (lbs.)	9.5
Part #	Finish
P6-162	Mill
P6-162-BA	Black
P6-162-CA	Clear

242" Standard Lengths

Length	242"
Weight Per Unit (lbs.)	14.0
Part #	Finish
P6-242	Mill
P6-242-BA	Black
P6-242-CA	Clear

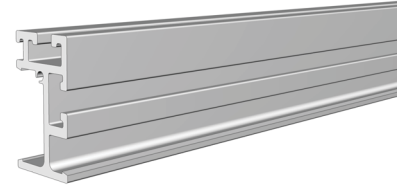
Reference preformed.com for Span/Cantilever Charts.

Standard - Mill **BA**- Black Anodized **CA**- Clear Anodized

P8 POWER RAIL™ Extrusions

POWER RAIL is an engineered profile extrusion made from Series 6000 structural marine grade aluminum. Standard finish is mill-finish aluminum. Clear and Black Anodized options available.

POWER RAIL P8 – Extrusion



126" Standard Lengths

Length	126"
Weight Per Unit (lbs.)	10.5
Part #	Finish
P8-126	Mill
P8-126-BA	Black
P8-126-CA	Clear

162" Standard Lengths

Length	162"
Weight Per Unit (lbs.)	13.5
Part #	Finish
P8-162	Mill
P8-162-BA	Black
P8-162-CA	Clear

242" Standard Lengths

Length	242"
Weight Per Unit (lbs.)	20.2
Part #	Finish
P8-242	Mill
P8-242-BA	Black
P8-242-CA	Clear

Reference preformed.com for Span/Cantilever Charts.

Standard - Mill **BA**- Black Anodized **CA**- Clear Anodized

P14 POWER RAIL™ Extrusions

POWER RAIL is an engineered profile extrusion made from Series 6000 structural marine grade aluminum. Standard finish is mill-finish aluminum. Clear and Black Anodized options available.

POWER RAIL P14 – Extrusion



126" Standard Lengths

Length	126"
Weight Per Unit (lbs.)	10.5
Part #	Finish
P14-126	Mill
P14-126-BA	Black
P14-126-CA	Clear

162" Standard Lengths

Length	162"
Weight Per Unit (lbs.)	29.0
Part #	Finish
P14-162	Mill
P14-162-BA	Black
P14-162-CA	Clear

242" Standard Lengths

Length	242"
Weight Per Unit (lbs.)	44.5
Part #	Finish
P14-242	Mill
P14-242-BA	Black
P14-242-CA	Clear

Reference preformed.com for Span/Cantilever Charts.

Standard - Mill **BA**- Black Anodized **CA**- Clear Anodized

Mounting supports for P14 POWER RAIL:

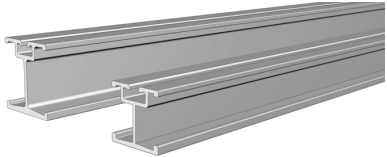
Super Post™ Stanchions - refer to page 10

P14 "L" Foot - refer to page 6

(other POWER RAIL™ mounting supports are not approved for P14 rail)

D Series POWER RAIL™ Extrusions

POWER RAIL is an engineered profile extrusion made from Series 6000 structural marine grade aluminum. Standard finish is mill-finish aluminum. Clear and Black Anodized options available.



POWER RAIL XD and UD – Extrusions

XD

242" Standard Lengths

Length	242"
Weight Per Unit (lbs.)	16.1
Part #	XD-242

324" Standard Lengths

Length	324"
Weight Per Unit (lbs.)	21.6
Part #	XD-324

UD

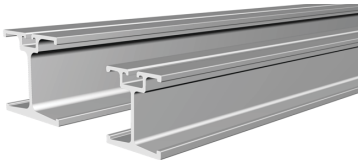
242" Standard Lengths

Length	242"
Weight Per Unit (lbs.)	26.0
Part #	UD-242

324" Standard Lengths

Length	324"
Weight Per Unit (lbs.)	34.8
Part #	UD-324

POWER RAIL LD and MD – Extrusions



LD

242" Standard Lengths

Length	242"
Weight Per Unit (lbs.)	34.2
Part #	LD-242

324" Standard Lengths

Length	324"
Weight Per Unit (lbs.)	46.1
Part #	LD-324

MD

242" Standard Lengths

Length	242"
Weight Per Unit (lbs.)	43.8
Part #	MD-242

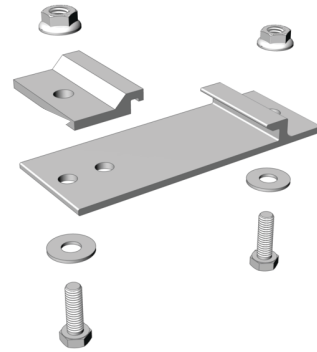
324" Standard Lengths

Length	324"
Weight Per Unit (lbs.)	59.1
Part #	MD-324

D Series Mounting Base Brackets

Mounting base brackets are fabricated from Series 6000 structural marine grade aluminum. 5/16" hardware included.

Part #	Description	Weight Per Unit (lbs.)
MBB-LD-MD	LD/MD Mounting Base Bracket	0.40
MBB-XD-UD	XD/UD Mounting Base Bracket	.114



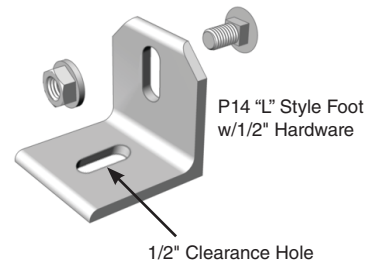
Mounting Base Bracket with 5/16" SS Hardware and clear coated nuts

P14 "L" Foot

P14 "L" Feet are fabricated from high-strength 1/4" Series 6000 marine grade aluminum. 1/2" hardware included.

Part #	Description	Weight Per Unit (lbs.)
P14-LF	POWER RAIL P14 L-Mounting Foot	0.50

***P14 "L" Feet are used with P14 rail only.**



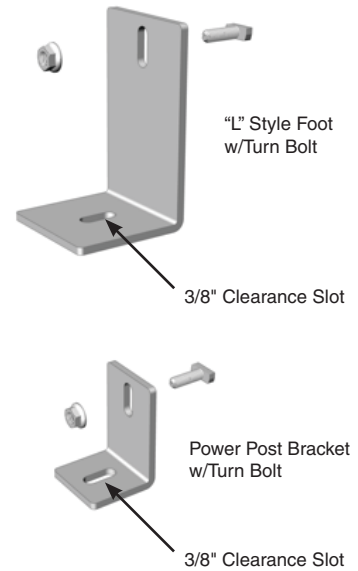
"L" Feet

"L" Feet are fabricated from high-strength 3/16" aluminum and include a vertical slot for adjusting to irregular surfaces.

5/16" coated hardware included.

FOR ORDERING Stainless Steel Hardware: ADD (-SS suffix)

Part #	Description	Weight Per Unit (lbs.)
LF2	2.5" Tall L-Mounting Foot	0.20
LF3	3.5" Tall L-Mounting Foot	0.24
LF5	5" Tall L-Mounting Foot	0.40
LF6	6" Tall L-Mounting Foot	0.45
PPB	Power Post Bracket	.09



Tilted "L" Feet

"L" Feet are fabricated from high-strength 3/16" aluminum. Tilted "L" Feet provide a low cost solution to increase module tilt angles by 5° or 10°.

5/16" coated hardware included.

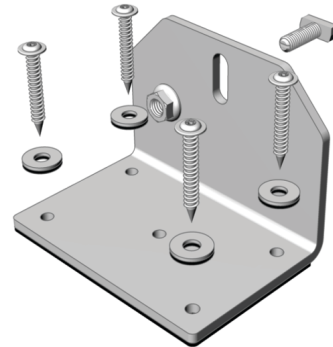
Part #	Description	Weight Per Unit (lbs.)
FF5	5° Front Foot	0.25
BF5	5° Back Foot	0.50
FF10	10° Front Foot	0.25
BF10	10° Back Foot	0.75



Easy Feet™

Easy Feet mount directly over metal and composite shingles into roof decking and do not require attachment to a roof structural member. Sealing butyl mastic backing and roof screws are included.

Part #	Description	Weight Per Unit (lbs.)
PEF-1.5	Pivot Easy Mounting Foot w/1.5" Screws	0.76
PEF-2.0	Pivot Easy Mounting Foot w/2.0" Screws	0.78

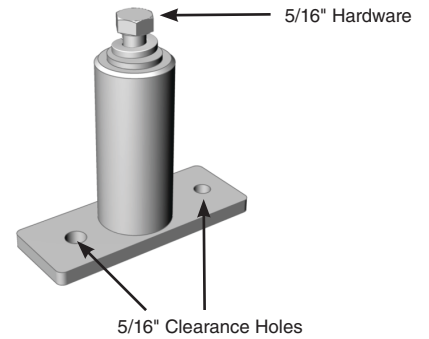


Butyl Mastic, Turn Bolt,
Roof Screws and
Neoprene Washers
Included

Power Post™ Stanchions

Power Posts offer high-strength solid aluminum construction and may be used with flashing cones or with built-up roofs.

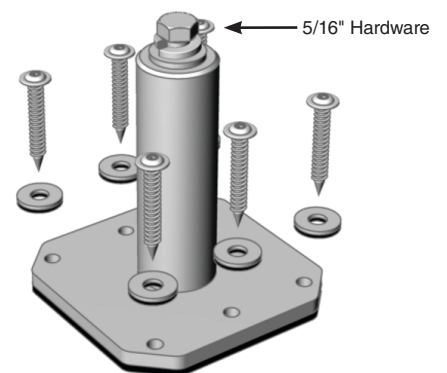
Part #	Description	Diameter	Weight Per Unit (lbs.)
PP4	4" Power Post	1.31"	0.67
PP5	5" Power Post	1.31"	0.81
PP6	6" Power Post	1.31"	0.94



Easy Power Post™ Stanchions

Easy Power Posts mount directly to the roof deck. Sealing butyl mastic backing and roof screws are included.

Part #	Description	Diameter	Weight Per Unit (lbs.)
EP4	4" Easy Post	1.31"	0.94
EP5	5" Easy Post	1.31"	1.08
EP6	6" Easy Post	1.31"	1.21



Butyl Mastic, Roof Screws and Neoprene Washers Included

Super Post™ Stanchions*

Super Posts offer high-strength aluminum construction for larger arrays and higher roof clearance.

Part #	Description	Diameter	Weight Per Unit (lbs.)
SP7	7" Super Mounting Post	1.82"	1.9
SP8	8" Super Mounting Post	1.72"	1.9
SP9	9" Super Mounting Post	1.61"	2.1
SP10	10" Super Mounting Post	1.51"	2.3

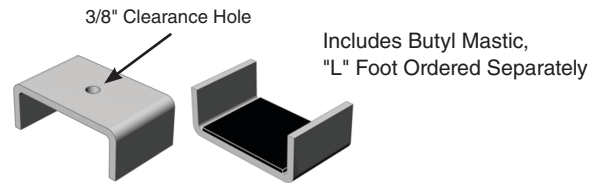
*Only for use with P14 L Feet.



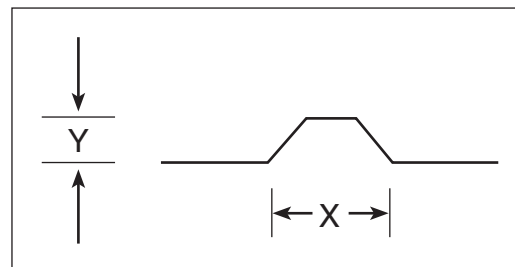
Corrugated Roof Mounts

The CMB offers high-strength aluminum and provides a mounting bridge over the peak of a metal corrugated roof, keeping the penetration above the water-diverting valleys. Includes Butyl Mastic, L-Foot not included.

Part #	Description
CMB	Mounting Bridge to Span Peaks of Corrugated Metal Roofs



Note: Not all corrugated metal roofs are the same. Please contact Preformed Line Products to design mounting bridges that are specific to your application. Provide "X" and "Y" Dimensions for your roof. Pricing subject to change. "L" Foot not included.

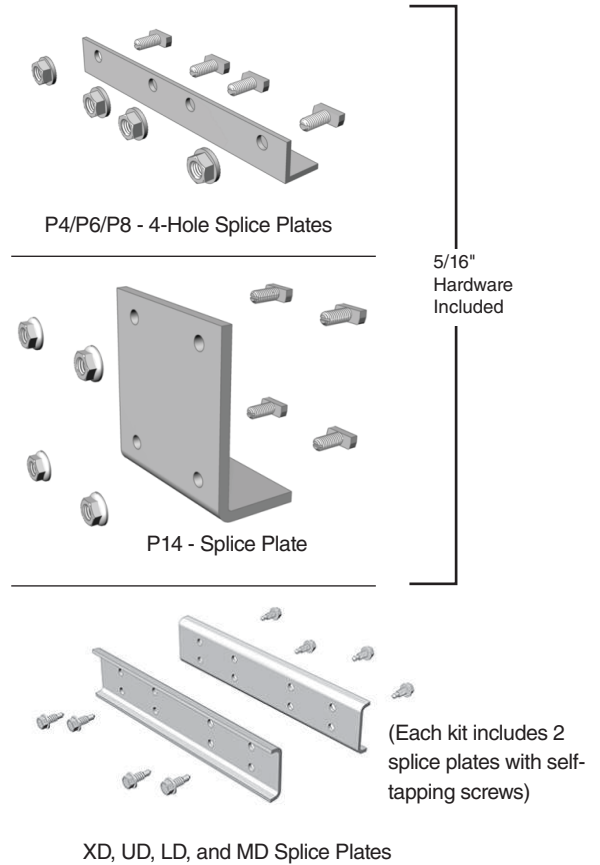


POWER RAIL™ Splice Plate Kits

The POWER RAIL Splice Kits are made from high-strength aluminum. Includes hardware.

Splice Plates

Part #	Description	Weight Per Unit (lbs.)
P4-4HSPK	Splice Plate for P4 Four Hole	0.40
P6-4HSPK	Splice Plate for P6 Four Hole	0.40
P8-SPK	Splice Plate for P8	0.55
P14-SPK	Splice Plate for P14	1.00
XD-SPK	Splice Plate Set for XD	0.20
UD-SPK	Splice Plate Set for UD	0.60
LD-SPK	Splice Plate Set for LD	0.37
MD-SPK	Splice Plate Set for MD	0.40

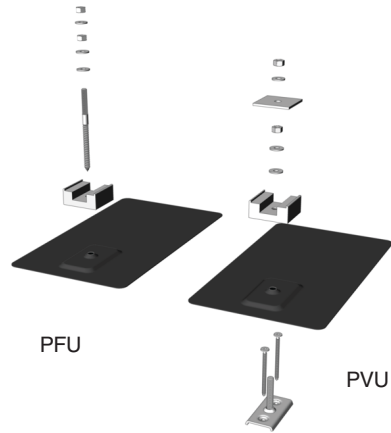


POWER RAIL™ PV Flash

POWER RAIL PV Flash includes one universal slotted compression block, and one 8" x 12" flashing in matte, black color. L-Foot ordered separately.

Part #	Attachment Hardware	Shipping Weight Per Unit (lbs.)
PFU*	5/16" x 6" hangerbolt	0.80
PVU*	Stainless Steel Base Plate and 3" Fasteners	1.00

*MUST order in quantities of 10.



Low Profile Tilt Kits – One High Portrait Mounting

The all aluminum Low Profile Tilt Kits mount a set of POWER RAIL extrusions (sold separately) at the tilt angle specified. Tilt kits are designed for portrait module mounting and aid in increasing energy production.

P6 Low Profile Tilt Kits

Part #	Description	Weight Per Unit (lbs.)
P6-OP15	Low Profile P6 15° tilt kit	6.5
P6-OP25	Low Profile P6 25° tilt kit	7.0
P6-OP35	Low Profile P6 35° tilt kit	7.5
P6-OP45	Low Profile P6 45° tilt kit	8.0



P6 Low Profile Tilt Kit
Includes Strong Back, Fixed Leg, Mounting Feet, Rail Brackets, and Hardware.

P6 POWER RAIL Extrusions ordered separately.

P8 Low-Profile Tilt Kits

Part #	Description	Weight Per Unit (lbs.)
P8-OP15	Low Profile P8 15° tilt kit	7.5
P8-OP25	Low Profile P8 25° tilt kit	8.0
P8-OP35	Low Profile P8 35° tilt kit	8.5
P8-OP45	Low Profile P8 45° tilt kit	9.0



P8 Low Profile Tilt Kit
Includes Strong Back, Fixed Leg, Mounting Feet, Rail Brackets, and Hardware.

P8 POWER RAIL Extrusions ordered separately.

Two-Tier Tilt Kits – Two High Portrait Mounting

The all aluminum Two-Tier Tilt Kits mount two sets of POWER RAIL extrusions (sold separately) at the tilt angle specified. Tilt kits are designed for portrait module mounting and aid in increasing energy production.

60 Cell Modules

Part #	Description	Weight Per Unit (lbs.)
P14-OP15-60	Two-Tier 15° tilt kit 60 Cell Module	28.12
P14-OP25-60	Two-Tier 25° tilt kit 60 Cell Module	29.44
P14-OP35-60	Two-Tier 35° tilt kit 60 Cell Module	30.75
P14-OP45-60	Two-Tier 45° tilt kit 60 Cell Module	32.03



Two-Tier Tilt Kit
Includes Strong Back, Fixed Leg, Mounting Feet, Rail Brackets, and Hardware.

P8 POWER RAIL Extrusions ordered separately.

72 Cell Modules

Part #	Description	Weight Per Unit (lbs.)
P14-OP15-72	Two-Tier 15° tilt kit 72 Cell Module	32.53
P14-OP25-72	Two-Tier 25° tilt kit 72 Cell Module	34.38
P14-OP35-72	Two-Tier 35° tilt kit 72 Cell Module	35.89
P14-OP45-72	Two-Tier 45° tilt kit 72 Cell Module	37.36



Two-Tier Tilt Kit
Includes Strong Back, Fixed Leg, Mounting Feet, Rail Brackets, and Hardware.

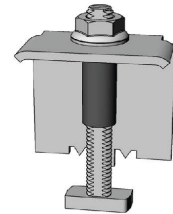
P8 POWER RAIL Extrusions ordered separately. Cross Bracing is required. See Assembly Instructions.

Pre-Assembled Module Clamps with RAD™ Hardware

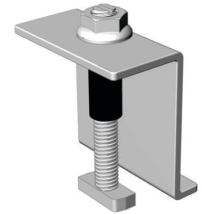
Module Clamps are Type 304 stainless steel for higher yield strength and durability. Pre-assembled module clamps feature no loose parts and a spacer that keeps free standing clamps in place for a quicker module installation. Patented.

Pre-Assembled End Clamp with RAD Bolt Hardware

Part #	Hardware / Finish	Description	Weight Per Unit (lbs.)
PA- EC [] RAD	Coated	Pre-Assembled Module End Clamp w/RAD Hardware	0.15
PA- EC [] RAD-SS	Stainless Steel		
PA- EC [] RAD-B	Black		



*Factory Assembled End Clamp w/RAD Bolt



Pre-Assembled End Clamp w/RAD Bolt

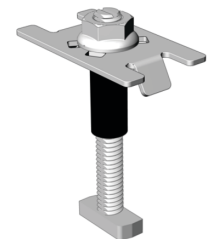
New Grounding Version

Note: Replace [] with module depth from the Solar Module Specification Sheet.
 Example: PA-EC-46-RAD end clamp for Sharp NU-U240F1 modules

Pre-Assembled AMP™ Mid Clamp with RAD Bolt Hardware

The AMP Clamp eliminates the need for a separate bonding washer.

Part #	Hardware / Finish	Description	Weight Per Unit (lbs.)
PA-GMC-28-33-RAD	Coated	Pre-Assembled Module Mid Clamp for 28-33 mm Thick Frame	.08
PA-GMC-28-33-RAD-SS	Stainless Steel		
PA-GMC-28-33-RAD-B	Black		
PA-GMC-34-39-RAD	Coated	Module Mid Clamp for 34-39 mm Thick Frame	
PA-GMC-34-39-RAD-SS	Stainless Steel		
PA-GMC-34-39-RAD-B	Black		
PA-GMC-40-46-RAD	Coated	Module Mid Clamp for 40-46 mm Thick Frame	
PA-GMC-40-46-RAD-SS	Stainless Steel		
PA-GMC-40-46-RAD-B	Black		
PA-GMC-47-52-RAD	Coated	Module Mid Clamp for 47-52 mm Thick Frame	
PA-GMC-47-52-RAD-SS	Stainless Steel		
PA-GMC-47-52-RAD-B	Black		
PA-GMC-53-59-RAD	Coated	Module Mid Clamp for 53-59 mm Thick Frame	
PA-GMC-53-59-RAD-SS	Stainless Steel		
PA-GMC-53-59-RAD-B	Black		



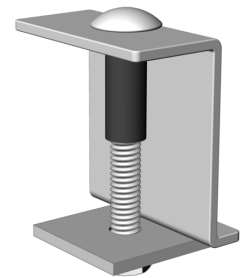
Pre-Assembled AMP Mid Clamp w/RAD Bolt

Pre-Assembled Purlin Through Hole Clamps

Bottom access, Purlin Through Hole clamps are Type 304 Stainless steel for higher strength and durability. The clamp allows for direct PV module mounting to purlins and other structural members. The patented pre-assembled clamps eliminate handling small parts on the job site and provide for a faster installation.

End Clamp with Carriage Bolt Hardware

Part #	Description	Weight Per Unit (lbs.)
PA-EC[]PT	Module End Clamp w/Carriage Bolt Hardware	0.15
PA-EC[]PT-SS		
PA-EC[]PT-B		



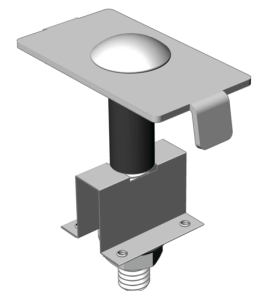
End Clamp w/Carriage Bolt

FOR ORDERING SPECIFY: Standard Coated Finish (-PT suffix), Black Finish (-B suffix), Stainless Steel Finish (-SS suffix)

Note: Replace [] with module depth in millimeters from the Solar Module Specification Sheet.
Example: PA-EC-46-PT end clamp for Sharp NU-U240F1 modules

Mid Clamp with Carriage Bolt Hardware

Part #	Description	Weight Per Unit (lbs.)
PAW-MC-28-33-PT	Module Mid Clamp for 28-33 mm Thick Frame	.08
PAW-MC-28-33-PT-SS		
PAW-MC-28-33-PT-B		
PAW-MC-34-39-PT	Module Mid Clamp for 34-39 mm Thick Frame	
PAW-MC-34-39-PT-SS		
PAW-MC-34-39-PT-B		
PAW-MC-40-46-PT	Module Mid Clamp for 40-46 mm Thick Frame	
PAW-MC-40-46-PT-SS		
PAW-MC-40-46-PT-B		
PAW-MC-47-52-PT	Module Mid Clamp for 47-52 mm Thick Frame	
PAW-MC-47-52-PT-SS		
PAW-MC-47-52-PT-B		
PAW-MC-53-59-PT	Module Mid Clamp for 53-59 mm Thick Frame	
PAW-MC-53-59-PT-SS		
PAW-MC-53-59-PT-B		



Mid Clamp w/Carriage Bolt

FOR ORDERING SPECIFY: Standard Coated Finish (-PT suffix), Black Finish (-B suffix), Stainless Steel Finish (-SS suffix)

Universal End Clamp

Universal End Clamps are Type 304 Stainless steel for higher strength and durability. The clamps secure a wide range of PV module frames, reduce SKUs, and allow the module frame to be flush with the end of rail.

Universal End Clamp – Flange Mount – Bottom Access

Part #	Description	Weight Per Unit (lbs.)
P6-ECU	Universal End Clamp w/Set Bolt for P6	0.15
P8-ECU	Universal End Clamp w/Set Bolt for P8	0.25



Grounding Hardware

Part #	Description	Weight Per Unit (lbs.)	Quantity
WEEB-DPF*	Module Grounding Clip	.003	10-99
			100-999
			1000+
WEEB-11.5*	Splice Plate Grounding Clip	.003	10-99
			100-999
			1000+
WEEBL-8.0-KIT*	Rail Grounding Lug	0.19	10-99
			100+
WEEB-8.0-RBJ-KIT*	Rail Bonding Jumper	0.11	10-99
			100+
ACC-PV*	ACME PV Cable Clip	0.006	10-99
			100-999
			1000+
ACC*	ACME – 2 Cable Clip	0.006	10-99
			100-999
			1000+

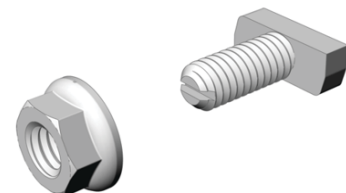
NOTE: Cable Clips snugly hold 1 or 2 designated cables.
 *MUST order in quantities of 10

FOR ORDERING SPECIFY: Standard Coated Finish (-PT suffix), Black Finish (-B suffix), Stainless Steel Finish (-SS suffix)



Turn Bolts

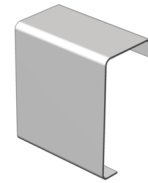
Part #	Hardware / Finish	Description	Weight Per Unit (lbs.)
TB-SS	Stainless Steel	5/16" x 3/4" Turn Bolt w/ Flange Nut	0.05
TB-1-SS	Stainless Steel	5/16" x 1" Turn Bolt w/ Flange Nut	0.06



Wire Management Clips

Wire management clips are made from stainless steel and secure cables to PV modules and mounting rails to simplify wire management.

Part #	Description	Weight Per Unit (lbs.)
XD-WC	XD Wire Management Clip	0.05
UD-WC	UD Wire Management Clip	0.07
LD-WC	LD Wire Management Clip	0.076
MD-WC	MD Wire Management Clip	0.099



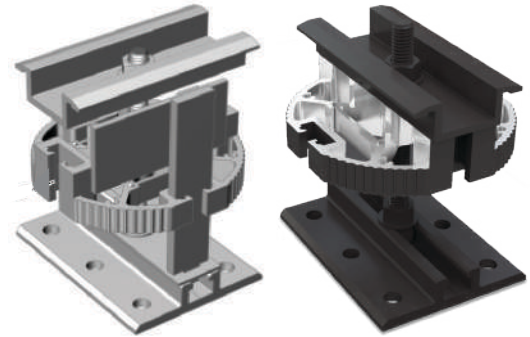
XD/UD/MD/LD Clip

POWER DISK™

The POWER DISK is the professional grade choice for mounting PV Modules on residential roofs. Featuring a rail-less design, easier height adjustment, and integrated grounding. The POWER DISK mounts directly over metal or composite shingles into roof decking and does not require attachment to a roof structural member. Sealing butyl mastic and specialty screws or lags are included.

POWER DISK with Screws – Mounts directly to roof decking anywhere

Part #	Description
PD-S	POWER DISK with Roof Deck Screws
PD-SB	POWER DISK with Roof Deck Screws, Black
PDF-SH	POWER DISK with Flashing, Roof Deck Screws, Portrait Mounting
PDF-SV	POWER DISK with Flashing, Roof Deck Screws, Landscape Mounting
PDF-SHB	POWER DISK with Flashing, Roof Deck Screws, Black, Portrait Mounting
PDF-SVB	POWER DISK with Flashing, Roof Deck Screws, Black, Landscape Mounting
PT	POWER TRIM Black Skirt, 59.5", includes mounting fasteners



Black version now available

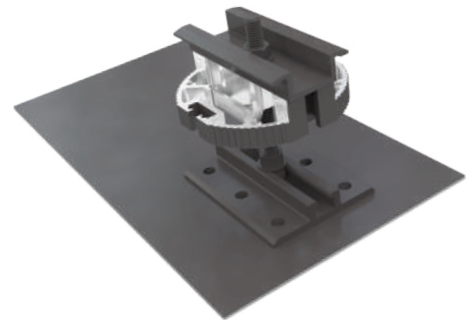
All catalog numbers are ordered and packaged in quantities of **10 per carton**.

Roof Deck Screws are 1-1/2" long, Lag Screws are 2-1/2" long.

Select **PDF-SV** for landscape mounting, rafter attachment with flashing.

POWER DISK with Lag Bolts – Mounts directly to roof structural member

Part #	Description
PD-L	POWER DISK with Lags
PD-LB	POWER DISK with Lags, Black
PDF-L	POWER DISK with Flashing, Lags
PDF-LB	POWER DISK with Flashing, Lags, Black
PT	POWER TRIM Black Skirt, 59.5", includes mounting fasteners



Flashing option shown – mounting screws included

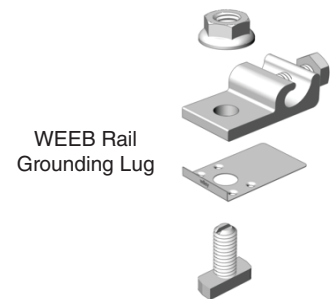
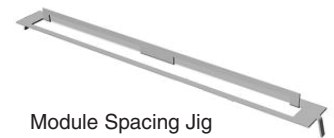
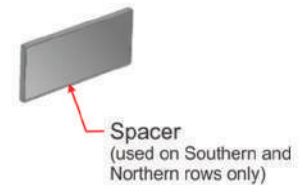


POWER TRIM Black Skirt – mounting screws included

POWER DISK™

POWER DISK Accessories

Part #	Description	Frame Thickness	Finish
CS-49-51	POWER DISK Perimeter Clamp Spacer	49 - 51 mm	Mill
CS-46-48	POWER DISK Perimeter Clamp Spacer	46 - 48 mm	Mill
CS-43-45	POWER DISK Perimeter Clamp Spacer	43 - 45 mm	Mill
CS-40-42	POWER DISK Perimeter Clamp Spacer	40 - 42 mm	Mill
CS-37-39	POWER DISK Perimeter Clamp Spacer	37 - 39 mm	Mill
CS-34-36	POWER DISK Perimeter Clamp Spacer	34 - 36 mm	Mill
CS-31-33	POWER DISK Perimeter Clamp Spacer	31 - 33 mm	Mill
5802326	Module Spacing Jig		
WEEBL-8.0 -KIT-SS	Ground lug and turn bolt		





Global Headquarters

660 Beta Drive
Cleveland, Ohio 44143 USA

Phone: (440) 461-5200
Toll Free: (800) 260-3792
Fax: (440) 442-8816
Website: preformed.com
Email: info@plpsolar.com

© 2020 Preformed Line Products
SL-ML-1034-12P
01.20.IH